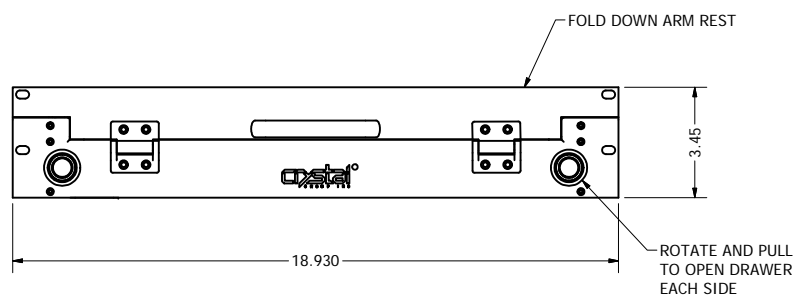
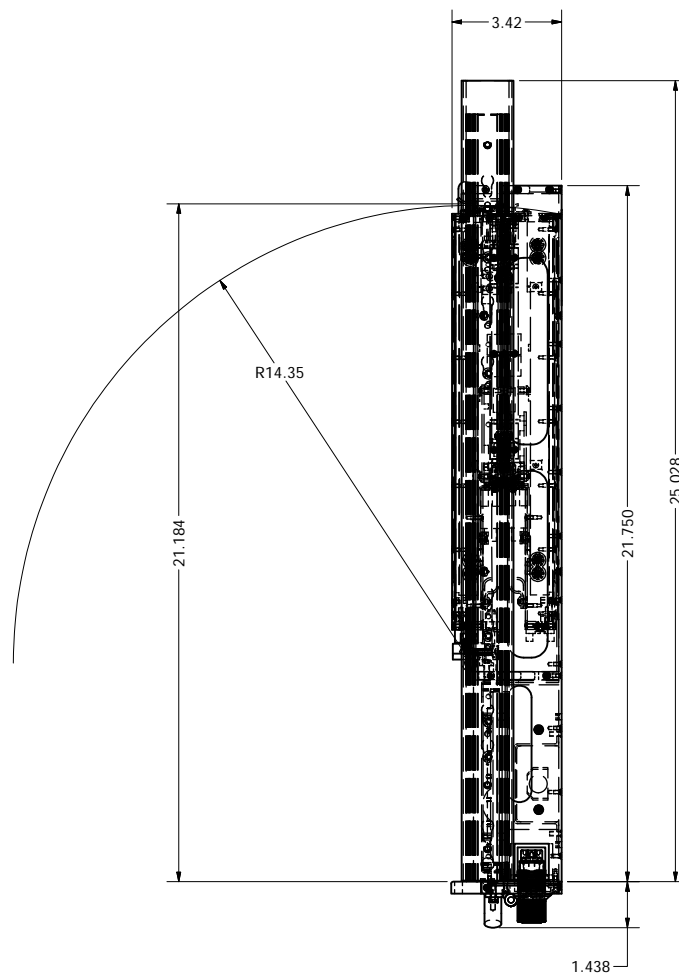
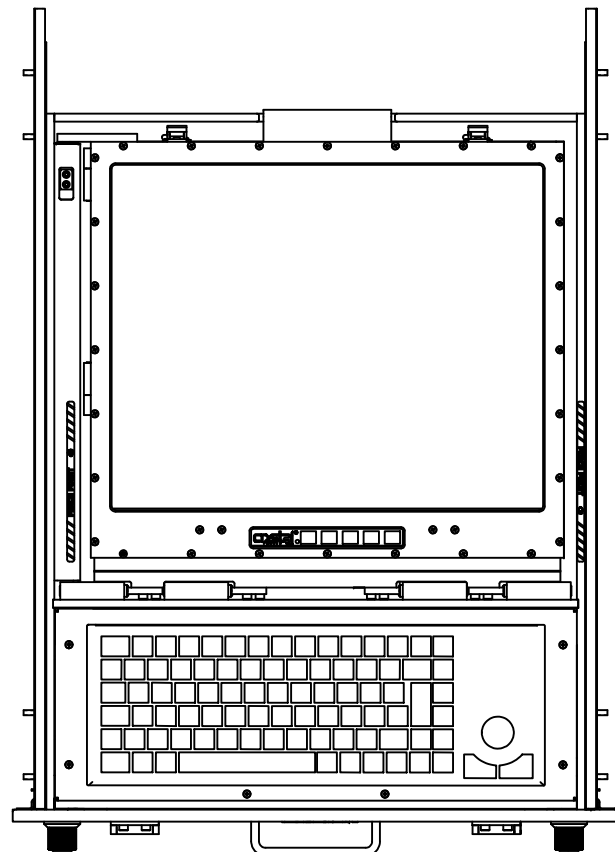
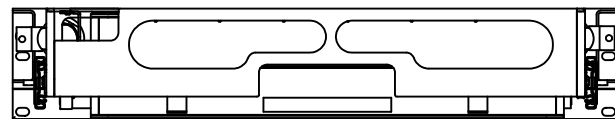


NOTES:

1. ALL DIMENSIONS NOMINAL UNLESS OTHERWISE SPECIFIED.
2. INTERPRET PER ASME Y14.5M-1994.
3. APPROX. WEIGHT 45 lbs (20.4 kg).
4. SEE SHEET 2 FOR MOUNTING KIT DETAILS.
5. PARENTHEICAL INFORMATION IS FOR REFERENCE ONLY.
6. MAX. POWER DISSIPATION 100W.



REV	DATE	APPROVED	DESCRIPTION	ECN
A	8/21/2008	SMEYTHALER	INITIAL RELEASE	013873
REVISION HISTORY				

THIS DRAWING IS PROPERTY OF CRYSTAL GROUP INC. AND IS FURNISHED SUBJECT TO RETURN ON DEMAND. ALL OR PART OF THIS DOCUMENT CONTAINS INFORMATION PROPRIETARY TO CRYSTAL GROUP INC. RECEIPT AGREEES NOT TO DISCLOSE OR REPRODUCE ALL OR PART OF THIS DRAWING OR USE ITS CONTENTS IN ANY WAY DETRIMENTAL TO OWNERS INTEREST.

DO NOT SCALE DRAWING  
WORK TO DIMENSIONS ONLY

.X ... ± .060  
.XX ... ± .020  
.XXX ... ± .010

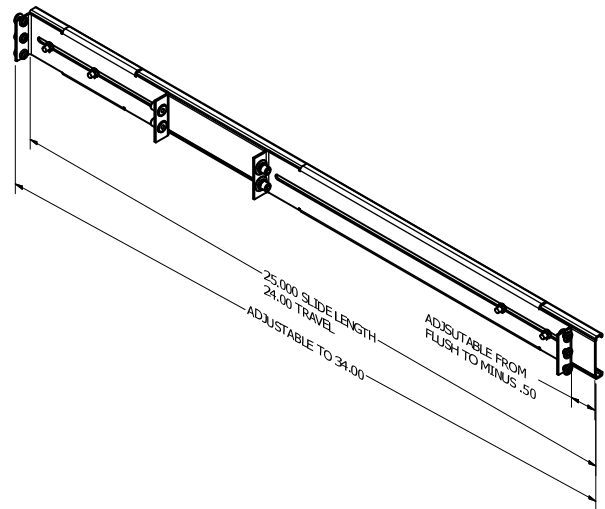
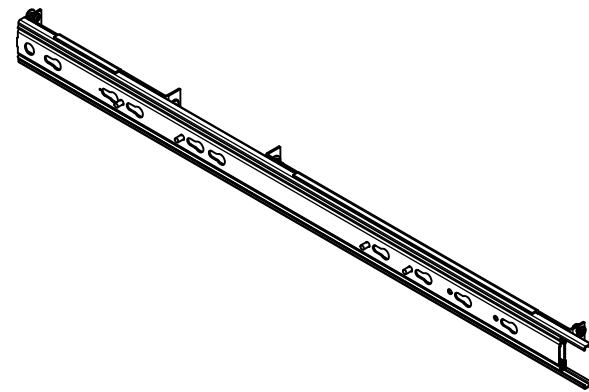
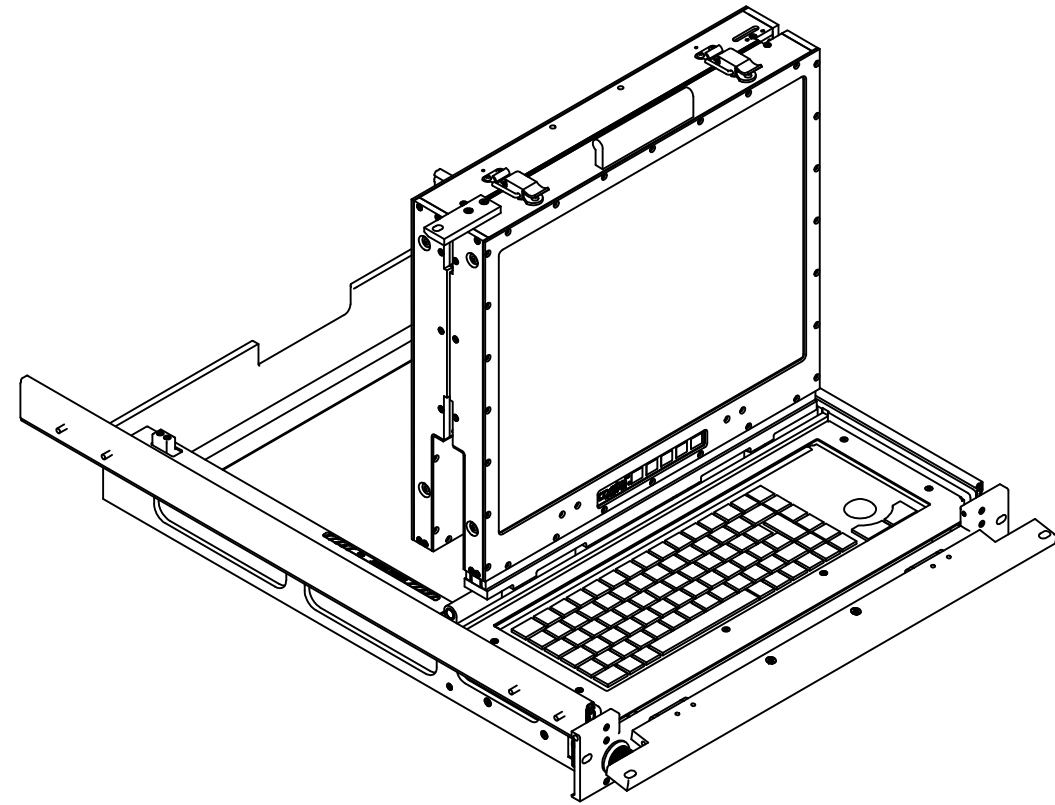
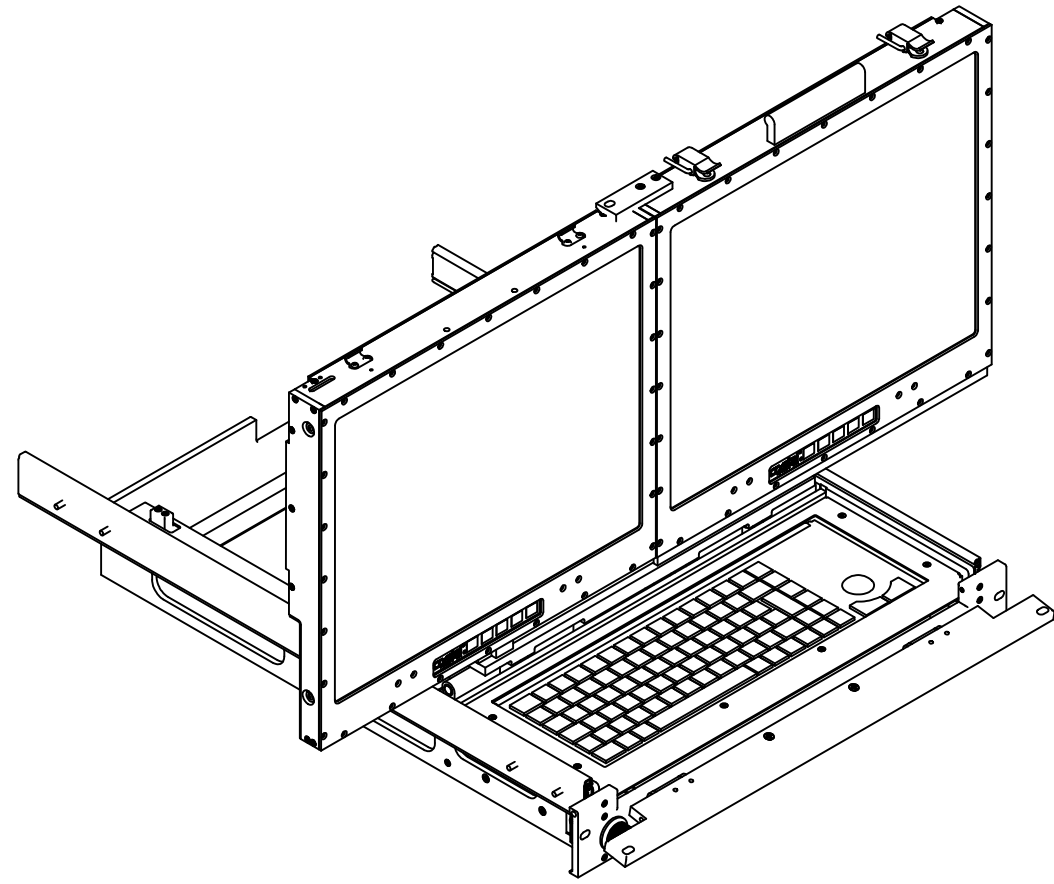
FORMED ANGLES ... ± 1.0  
WELDED ANGLES ... ± 2.0  
HOLE DIAMETER ... ± .003

3rd Angle Projection

△ DENOTES REVISION

DRAWN	S. MEYTHALER	8/21/2008
CHECKED	M. MOHR	8/21/2008
QA	R. RIDENOUR	
MFG	M. KRUGER	8/21/2008
APPROVED	J. SHAW	8/21/2008
CAGE CODE: 1LTM5		

<b>Crystal</b> GROUP INC	
TITLE RD2217 OUTLINE INSTALLATION DRAWING, DUAL 17" LCD, DVI INTERFACE, WITH KEYBOARD AND TRACKBALL	
SIZE D	DWG NO OID-00027
SCALE: NONE	USED ON: SHEET 1 OF 2



RAIL KIT  
KIT-00014

THIS DRAWING IS PROPERTY OF CRYSTAL GROUP INC. AND IS FURNISHED SUBJECT TO RETURN ON DEMAND. ALL OR PART OF THIS DOCUMENT CONTAINS INFORMATION PROPRIETARY TO CRYSTAL GROUP INC. RECIPIENT AGREES NOT TO DISCLOSE OR REPRODUCE ALL OR PART OF THIS DRAWING OR USE ITS CONTENTS IN ANY WAY DETRIMENTAL TO OWNERS INTEREST.

DO NOT SCALE DRAWING  
WORK TO DIMENSIONS ONLY

.X ... ± .060  
.XX ... ± .020  
.XXX ... ± .010  
FORMED ANGLES ... ± 1.0  
WELDED ANGLES ... ± 2.0  
HOLE DIAMETER ... ± .003



DRAWN	S. MEYTHALER	8/21/2008
CHECKED	M. MOHR	8/21/2008
QA	R. RIDENOUR	
MFG	M. KRUGER	8/21/2008
APPROVED	J. SHAW	8/21/2008

CAGE CODE: 1LTM5



TITLE RD2217 OUTLINE INSTALLATION  
DRAWING, DUAL 17" LCD, DVI INTERFACE,  
WITH KEYBOARD AND TRACKBALL

SIZE	D	DWG NO	OID-00027	REV	A
------	---	--------	-----------	-----	---

SCALE: NONE USED ON: SHEET 2 OF 2