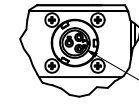
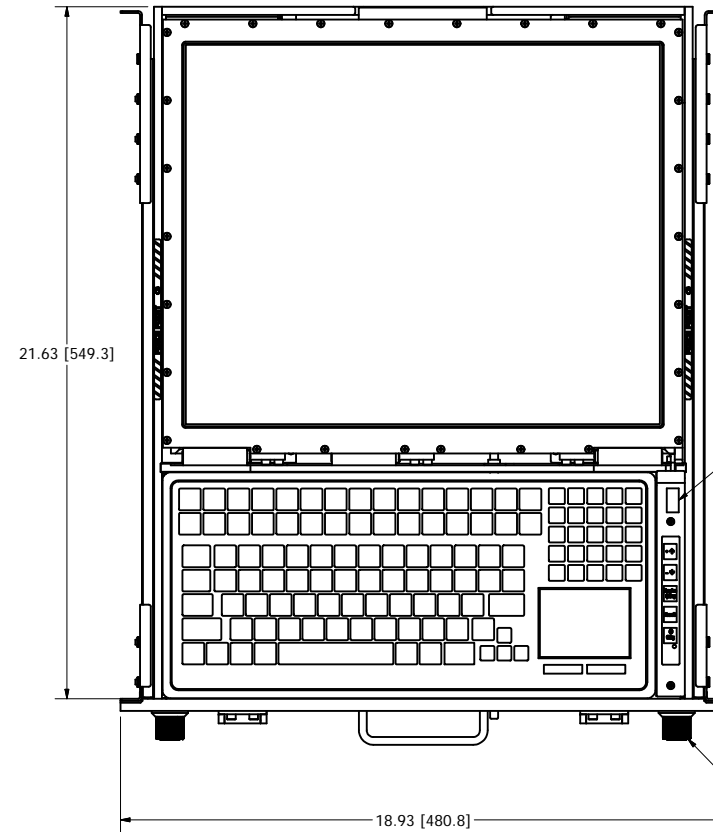
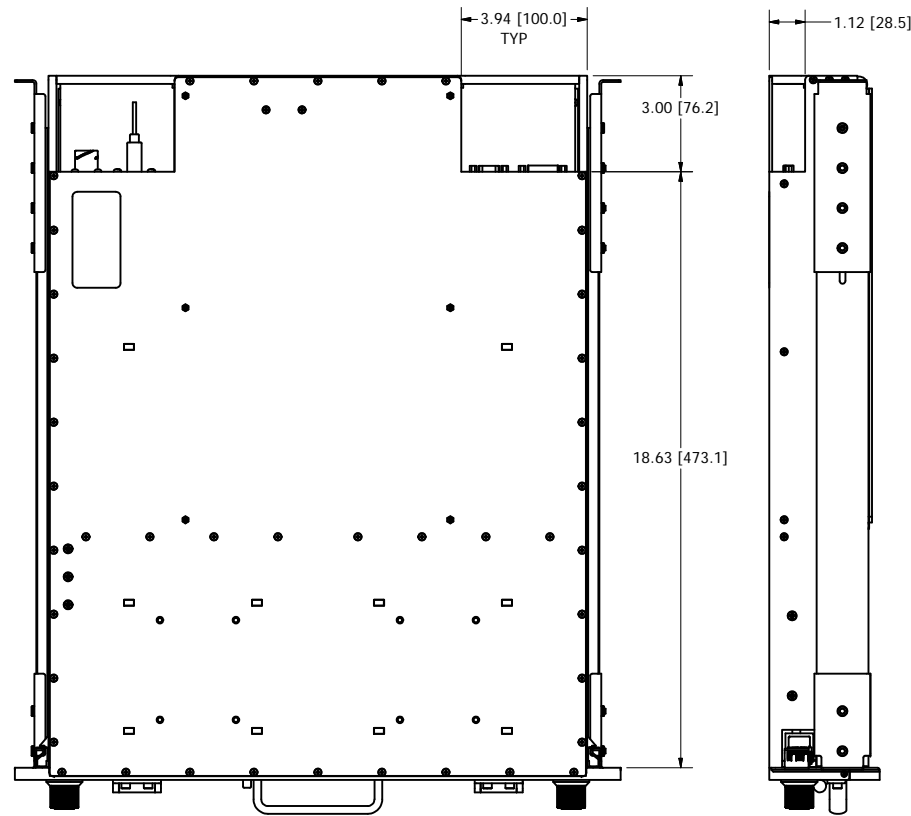
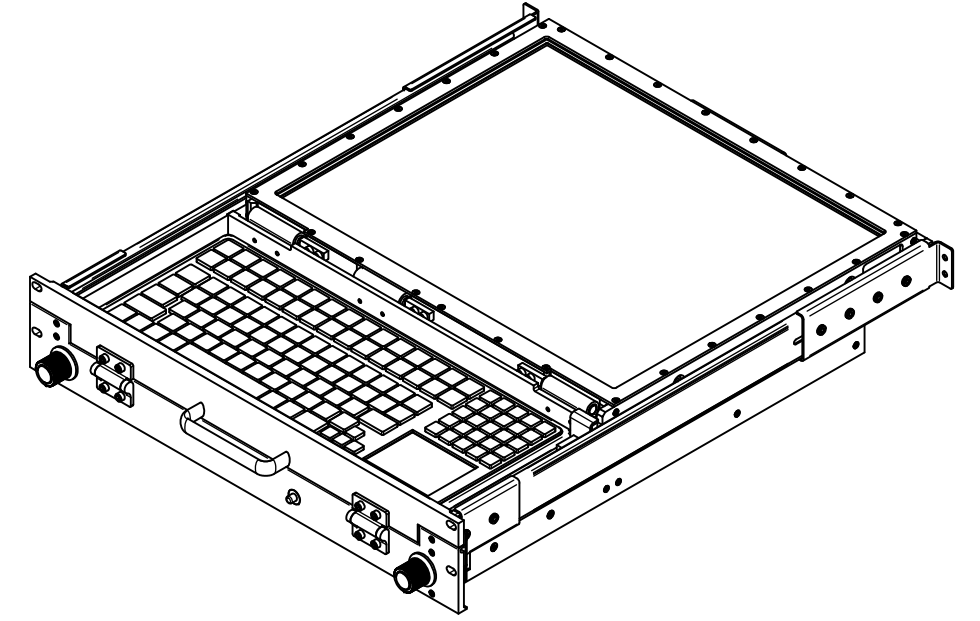
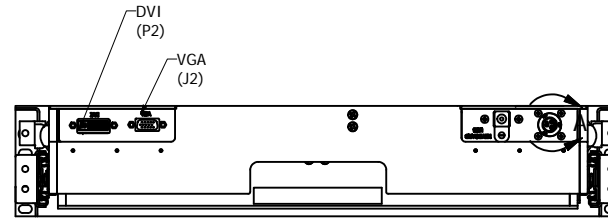


- NOTES:  
 1. ALL DIMENSIONS NOMINAL UNLESS OTHERWISE SPECIFIED.  
 2. INTERPRET PER ASME Y14.5M-1994.  
 3. APPROX. WEIGHT 35 lbs (15.9 kg).  
 4. SEE SHEET 2 FOR MOUNTING KIT DETAILS.  
 5. PARENTHETICAL INFORMATION IS FOR REFERENCE ONLY.  
 6. NOMINAL POWER 6A @ 12VDC.



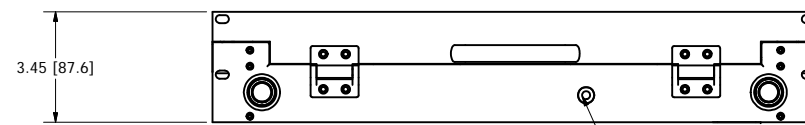
CB MIL-DTL-5015  
 SHELL SIZE 10SL-3  
 (J1)

DETAIL A



RATCHET RELEASE  
 PUSH TO RETURN TO  
 STOWED POSITION

PUSH TO CLOSE DRAWER  
 LATCH, EACH SIDE



LATCH RELEASE  
 PUSH TO RELEASE  
 FROM STOWED POSITION

THIS DRAWING IS PROPERTY OF  
 CRYSTAL GROUP INC. AND IS  
 FURNISHED SUBJECT TO RETURN  
 ON DEMAND. ALL OR PART OF THIS  
 DOCUMENT CONTAINS  
 INFORMATION PROPRIETARY TO  
 CRYSTAL GROUP INC. RECEIPT  
 AGREES NOT TO DISCLOSE OR  
 REPRODUCE ALL OR PART OF THIS  
 DRAWING OR USE ITS CONTENTS  
 IN ANY WAY DETRIMENTAL TO  
 OWNERS INTEREST.  
 Δ DENOTES REVISION

DO NOT SCALE DRAWING  
 WORK TO DIMENSIONS ONLY

.X ... ± .060  
 .XX ... ± .020  
 .XXX ... ± .010  
 FORMED ANGLES ... ± 1.0  
 WELDED ANGLES ... ± 2.0  
 HOLE DIAMETER ... ± .003

DRAWN	S. MEYTHALER	12/22/2007
CHECKED	M. MOHR	12/22/2007
QA	R. RIDENOUR	12/22/2007
MFG	B. GRIMM	12/22/2007
APPROVED	J. SHAW	12/22/2007

CAGE CODE: 1LTM5

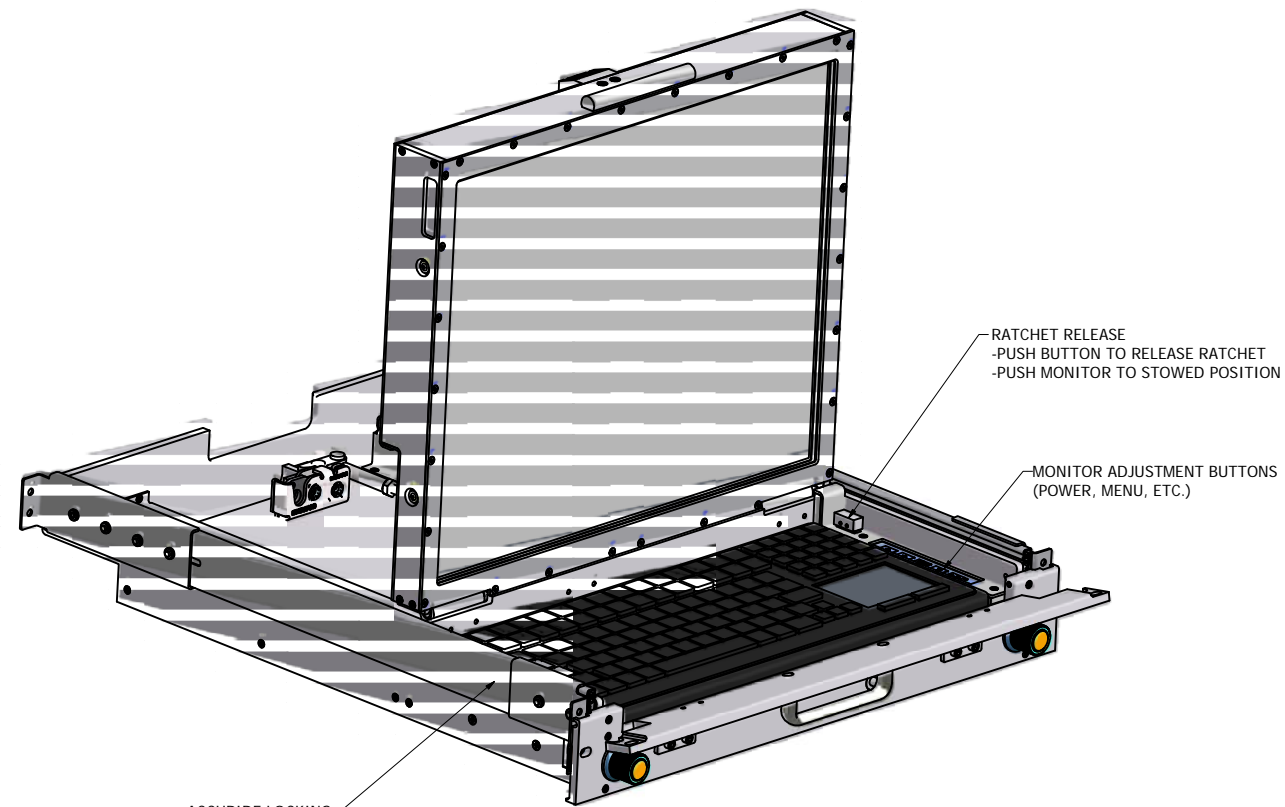


TITLE OUTLINE INSTALLATION DRAWING FOR  
 RD2119, RUGGED 19" RACK MOUNT, TFT  
 LCD W/ KEYBOARD

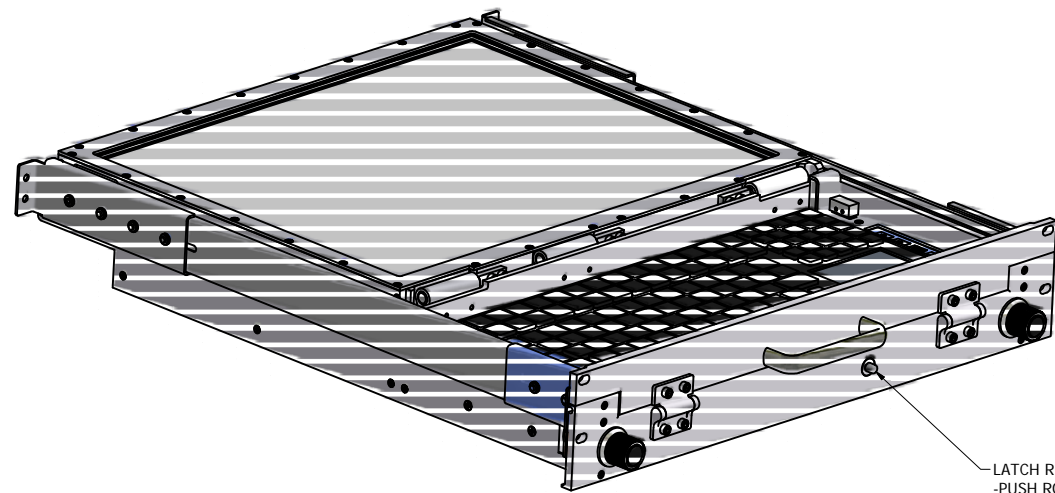
SIZE	D	DWG NO	OID-00007	REV	A
------	---	--------	-----------	-----	---

SCALE: NONE USED ON: SHEET 1 OF 3

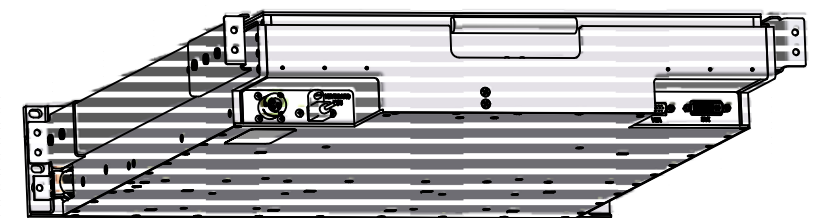
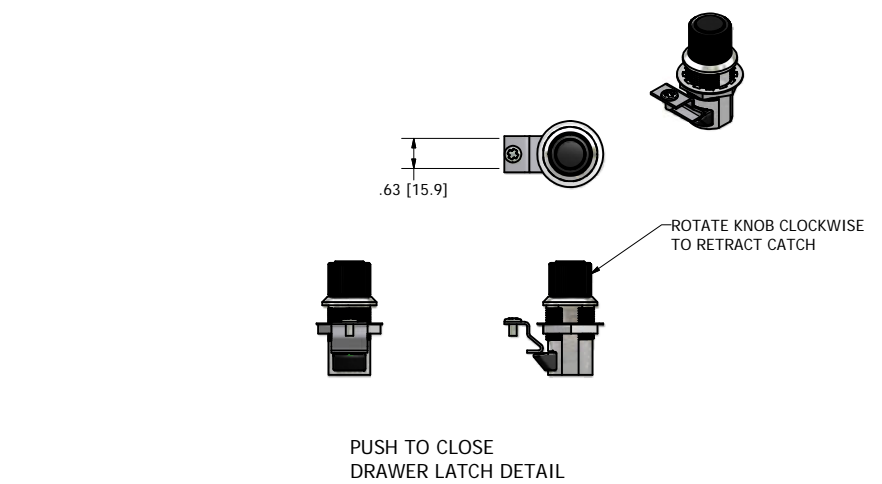
REV	DATE	APPROVED	DESCRIPTION	ECN
A	12/22/2007	SMEYTHALER	PRELIMINARY QUOTE RELEASE	013215
B	6/17/2008	SMEYTHALER	FINAL BUILD UPDATES	013625
REVISION HISTORY				



ISO VIEW - FRONT  
MONITOR STOWED



ISO VIEW - FRONT  
MONITOR STOWED

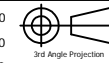


ISO VIEW - REAR  
MONITOR - STOWED

THIS DRAWING IS PROPERTY OF CRYSTAL GROUP INC. AND IS FURNISHED SUBJECT TO RETURN ON DEMAND. ALL OR PART OF THIS DOCUMENT CONTAINS INFORMATION PROPRIETARY TO CRYSTAL GROUP INC. RECIPIENT AGREES NOT TO DISCLOSE OR REPRODUCE ALL OR PART OF THIS DRAWING OR USE ITS CONTENTS IN ANY WAY DETRIMENTAL TO OWNERS INTEREST.

DO NOT SCALE DRAWING  
WORK TO DIMENSIONS ONLY

.X ... ± .060  
.XX ... ± .020  
.XXX ... ± .010  
FORMED ANGLES ... ± 1.0  
WELDED ANGLES ... ± 2.0  
HOLE DIAMETER ... ± .003



DRAWN	S. MEYTHALER	12/22/2007
CHECKED	M. MOHR	12/22/2007
QA	R. RIDENOUR	12/22/2007
MFG	B. GRIMM	12/22/2007
APPROVED	J. SHAW	12/22/2007

CAGE CODE: 1LTM5

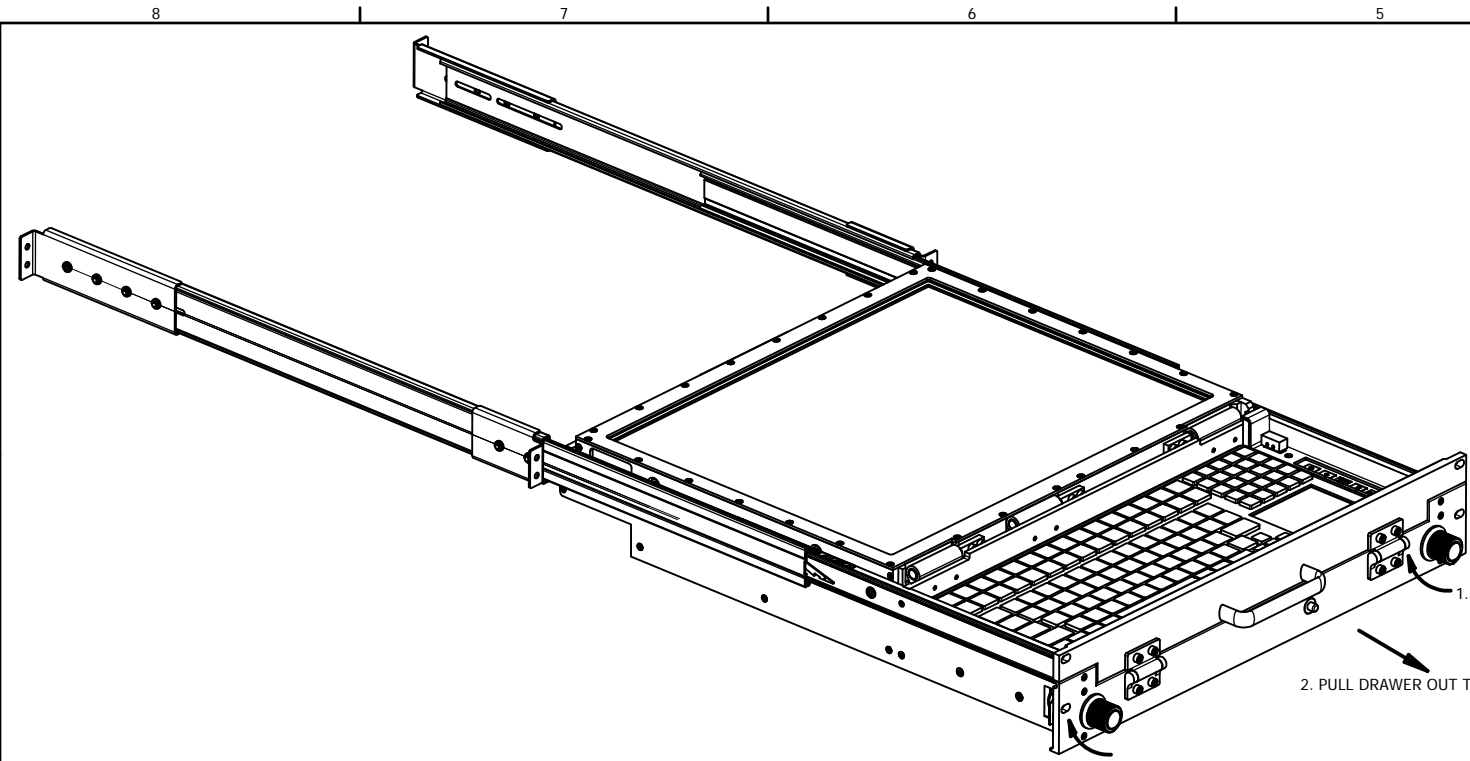


TITLE OUTLINE INSTALLATION DRAWING FOR  
RD2119, RUGGED 19" RACK MOUNT, TFT  
LCD W/ KEYBOARD

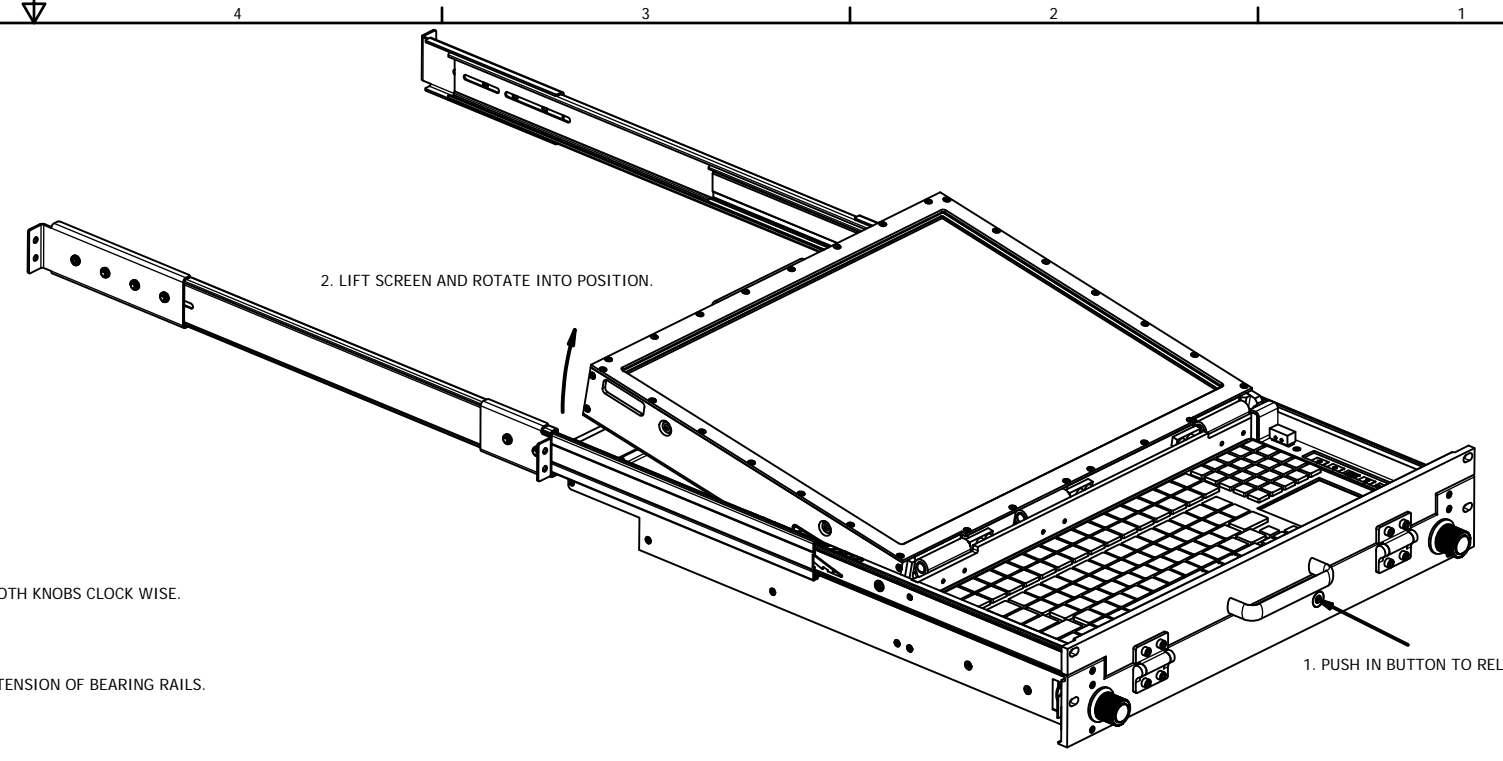
SIZE	D	DWG NO	OID-00007	REV	A
------	---	--------	-----------	-----	---

SCALE: NONE USED ON: SHEET 2 OF 3

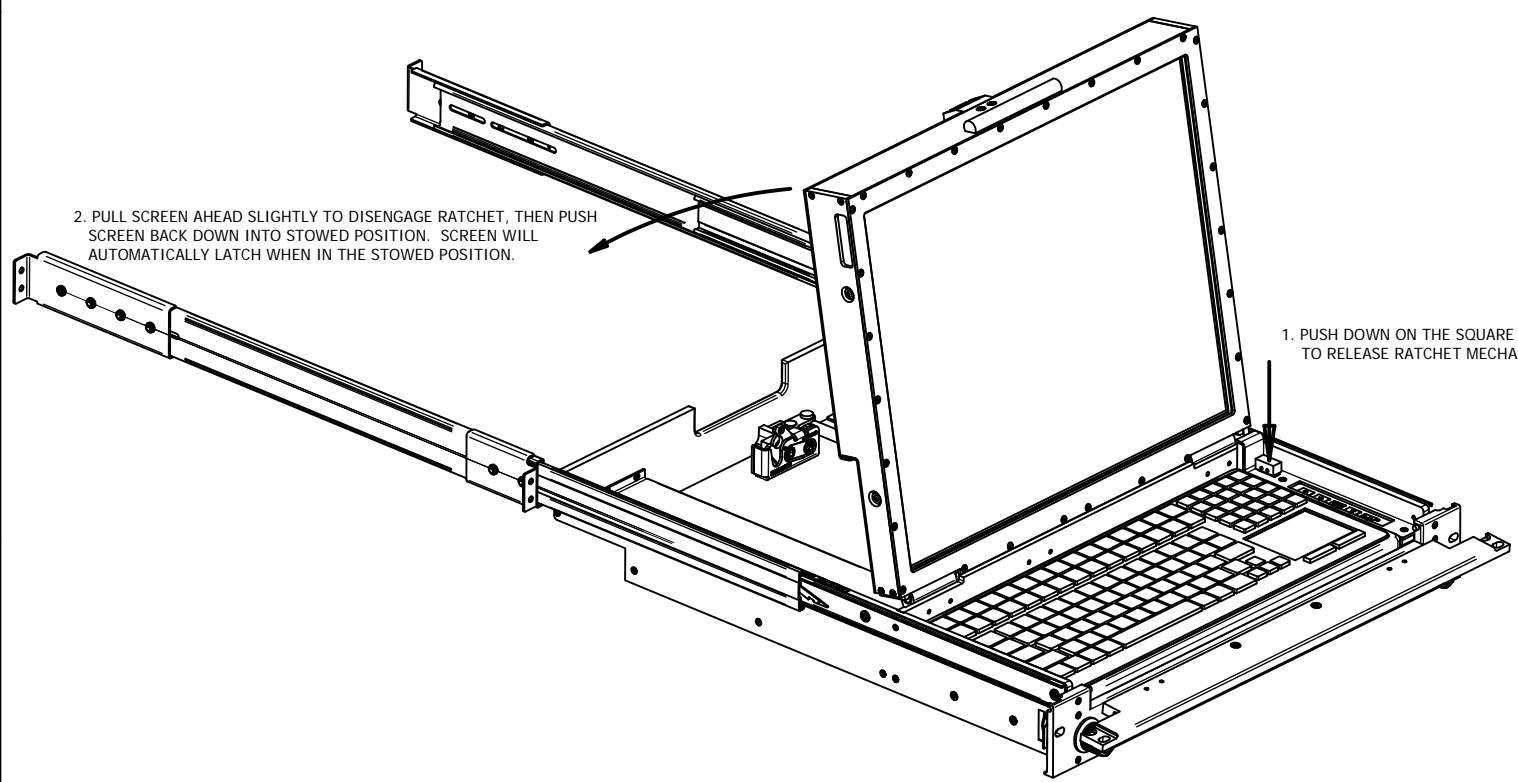
△ DENOTES REVISION



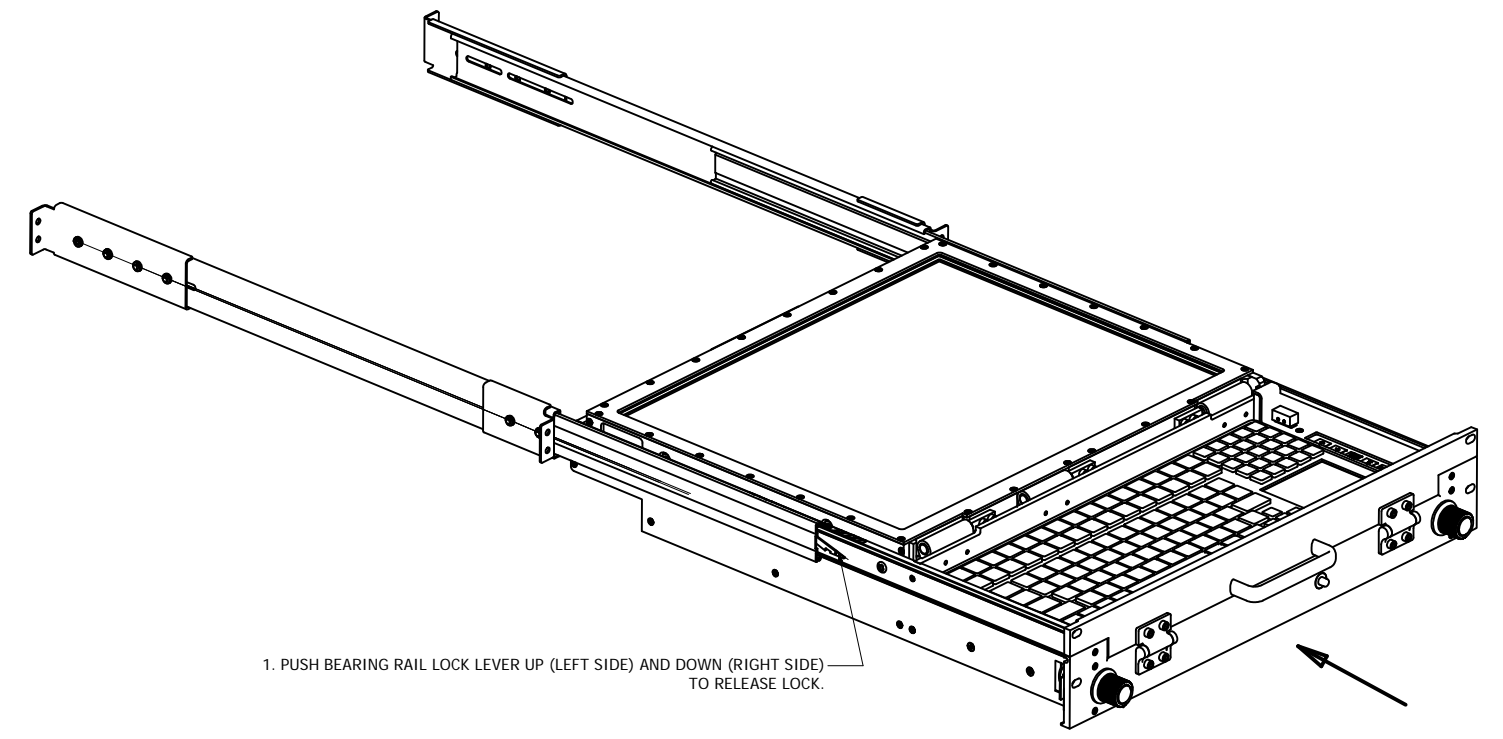
**ILLUSTRATION 1 - OPENING DRAWER**  
 1. ROTATE (2) BLACK KNOBS ON DRAWER LATCHES CLOCKWISE.  
 2. PULL DRAWER OUT TO FULL EXTENSION OF BEARING SLIDES  
 BEARING SLIDES WILL LOCK IN THE FULL EXTENSION POSITION.



**ILLUSTRATION 2 - DEPLOYING SCREEN**  
 1. PUSH IN BUTTON TO RELEASE LATCH.  
 2. LIFT SCREEN AND ROTATE INTO DESIRED POSITION.  
 3. RATCHET WILL LOCK SCREEN INTO POSITION.



**ILLUSTRATION 3 - RETURNING SCREEN TO STOWED POSITION.**  
 1. PUSH DOWN ON THE SQUARE BUTTON TO RELEASE RATCHET MECHANISM.  
 2. PULL SCREEN AHEAD SLIGHTLY TO DISENGAGE RATCHET, THEN PUSH SCREEN BACK DOWN INTO STOWED POSITION. SCREEN WILL AUTOMATICALLY LATCH WHEN IN THE STOWED POSITION.



**ILLUSTRATION 4 - RETURNING DRAWER TO CLOSED POSITION**  
 1. PUSH BEARING RAIL LOCK LEVER UP (LEFT SIDE) AND DOWN (RIGHT SIDE) TO RELEASE LOCK.  
 2. PUSH DRAWER IN UNTIL DRAWER LATCHES LOCK DRAWER IN CLOSED POSITION.

THIS DRAWING IS PROPERTY OF CRYSTAL GROUP INC. AND IS FURNISHED SUBJECT TO RETURN ON DEMAND. ALL OR PART OF THIS DOCUMENT CONTAINS INFORMATION PROPRIETARY TO CRYSTAL GROUP INC. RECIPIENT AGREES NOT TO DISCLOSE OR REPRODUCE ALL OR PART OF THIS DRAWING OR USE ITS CONTENTS IN ANY WAY DETRIMENTAL TO OWNERS INTEREST. Δ DENOTES REVISION	DO NOT SCALE DRAWING	DRAWN S. MEYTHALER	12/22/2007		<b>TITLE</b> OUTLINE INSTALLATION DRAWING FOR RD2119, RUGGED 19" RACK MOUNT, TFT LCD W/ KEYBOARD	
	WORK TO DIMENSIONS ONLY	CHECKED M. MOHR	12/22/2007			
	.X ... ± .060 .XX ... ± .020 .XXX ... ± .010 FORMED ANGLES ... ± 1.0 WELDED ANGLES ... ± 2.0 HOLE DIAMETER ... ± .003		QA R.RIDENOUR MFG B.GRIMM APPROVED J.SHAW			12/22/2007
	Δ DENOTES REVISION	CAGE CODE: 1LTM5	SCALE: NONE			USED ON:

SIZE D DWG NO. **OID-00007** REV A  
 SCALE: NONE USED ON: SHEET 3 OF 3